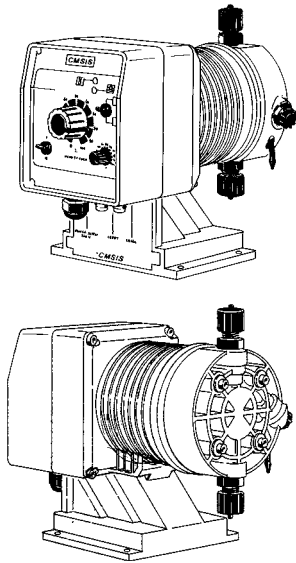


"CMS ANALOG" series Metering Pumps

Data Sheet

"CMSA Self Venting"

Configuration



Power supply: 230 VAC (190÷265 VAC)
 Power supply: 115 VAC (90÷135 VAC)
 Power supply: 24 VAC (20÷32 VAC)
 Power supply: 12 VDC (10÷16 VDC)

MODELS		
Standard	Self Venting	
MO	MA	"CMS CO" Constant pump with stroke speed (frequency) adjustment and stroke length adjustment.
ML	SL	"CMS CL" Constant pump with level control, stroke speed (frequency) adjustment and stroke length adjustment.
MS	SA	"CMS IS" Constant-Proportional pump driven by external digital signal, with level control: to each external pulse corresponds one pump stroke.
MP	AP	"CMS PV" Constant-Proportional pump driven by external digital signal, with pulse divider mode (ratio 1 to 1000) and level control.
PM	VA	"CMS PVM" Constant-Proportional pump driven by external digital signal, level control, with pulse divider mode (ratio 1 to 100) and multiplier mode (ratio 1 to 10).
MI	SI	"CMS IC" Constant-Proportional pump driven by current signal (0/4mA=0 pulses; 20mA = max pulses) and level control.

CAPACITIES			HOSE "PVDF"	HOSE "PE"	VALVE
2505	5 l/h against 25 bar	1.32 GPH against 362 PSI	6x8	4x6	3/8"
1510	10 l/h against 15 bar	2.64 GPH against 217 PSI	6x8	4x8	3/8"
0720	20 l/h against 7 bar	5.28 GPH against 101 PSI	6x8	6x8	1/2"
0340	40 l/h against 3 bar	10.56 GPH against 43 PSI	8x10	8x12	1/2"
0260	60 l/h against 2 bar	15.85 GPH against 29 PSI	8x10	8x12	1/2"
CAPACITIES Self Venting MODELS					
253,2	3.2 l/h against 25 bar	0.84 GPH against 362 PSI	6x8	4x6	3/8"
1506	6 l/h against 15 bar	1.58 GPH against 217 PSI	6x8	4x8	3/8"
0713	13 l/h against 7 bar	3.43 GPH against 101 PSI	6x8	6x8	1/2"
0330	30 l/h against 3 bar	7.92 GPH against 43 PSI	8x10	8x12	1/2"
0238,5	38.5 l/h against 2 bar	10.17 GPH against 29 PSI	8x10	8x12	1/2"

POWER SUPPLY	
00	230 VAC Schuko Plug
0S	230 VAC Australian Plug
01	230 VAC Without Plug
03	115 VAC US Plug
04	24 VAC Without Plug
05	12 VDC *
07	24 VDC
*Not available on some models.	

Model C MO 2505 V 00 00

LIQUID ENDS								
	Head	Orings	Valve		Diaphragm	Hose		Viscosity Max CPS
			Body	Balls		Delivery	Suction	
V	Polypropylene	Viton®	Polypropylene	Ceramic	PTFE	Polyethylen	PVC	100
D	Polypropylene	Etylene Propylene	Polypropylene	Ceramic	PTFE	Polyethylen	PVC	100
W	Polypropylene	Nytrile	Polypropylene	Ceramic	PTFE	Polyethylen	PVC	100
T	Polypropylene	Viton®+PTFE	Polypropylene	Ceramic	PTFE	Polyethylen	PVC	100
S	Polypropylene	Silicone	Polypropylene	Ceramic	PTFE	Polyethylen	PVC	100
A	Acrylic	Viton®	Polypropylene	Ceramic	PTFE	Polyethylen	PVC	100
K	PVDF	Viton®	PVDF	Ceramic	PTFE	PVDF	PVDF	100
P	PVDF	EPDM	PVDF	Ceramic	PTFE	PVDF	PVDF	100
Z	SS	Viton®	SS	SS	PTFE	N/A	N/A	100
\$	Acillico	Viton®	Polypropylene	SS+Hastelloy Spring	PTFE	Polyethylen	PVC	8000*

Viton® is a registered trademark of DuPont Dow Elastomers.

*Using high viscosity pump head "\$" pump output may results lower in some applications.



ISO 9001:2000
 ISO 14001:2004

Via Donatori di sangue, 1 - 02100 Vazia (RI) - Italy
 Tel. +39 0746 2284 1 - Fax +39 0746 2284 2 - http://www.emec.it

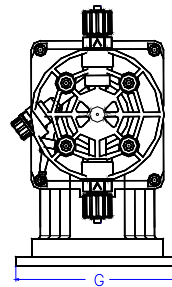
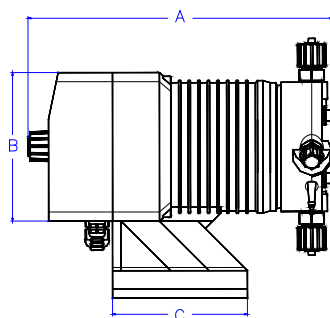
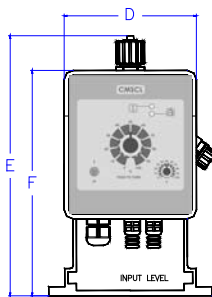
Specifications subject to change without notice.
 ENG R2-11-06

“CMS ANALOG” series Metering Pumps

Data Sheet

“CMSA Self Venting”

INFORMATION							
	Stroke speed		Stroke length range reliability	Power consumption at (230VAC)	Power consumption at (115VAC)	Weight	
	Min	Max					
2505	12	120	from 30% to 100%	42 Watt	24 Watt	9 Kg (19.8 Lbs)	
1510	12	120					
0720	12	120					
0340	12	120					
0260	12	120					
INFORMATION FOR Self Venting MODELS							
253,2	12	120	from 30% to 100%	42 Watt	24 Watt		
1506	12	120					
0713	12	120					
0330	12	120					
0238,5	12	120					



DIMENSIONS		
	mm	inches
A	285.30	11.23
B	139.00	5.47
C	126.50	4.98
D	124.00	4.88
E	243.50	9.58
F	211.00	8.30
G	153.00	6.02

IP65 enclosure (NEMA4x)

“CMS ANALOG” metering pumps are manufactured in moulded glass filled and Polypropylene housing to ensure protection against aggressive chemicals and tough environment.

ENVIRONMENT: -10°C - +45°C (14°F - 113°F)

MORE INFORMATION								
	Flow				cc per Stroke		Maximum injection Pressure	
	Min cc/h	Max l/h	Min GPH	Max GPH	Min	Max		
2505	150	5	0.039	1.32	0.21	0.70	25 bar	362 PSI
1510	300	10	0.079	2.64	0.42	1.4	15 bar	217 PSI
0720	600	20	0.158	5.28	0.84	2.8	7 bar	101 PSI
0340	1200	40	0.317	10.56	1.68	5.6	3 bar	43 PSI
0260	1800	60	0.475	15.85	2.52	8.4	2 bar	29 PSI
MORE INFORMATION FOR Self Venting MODELS								
253,2	96	3,2	0.025	0.84	0.13	0.44	25 bar	362 PSI
1506	180	6	0.047	1.59	0.249	0.83	15 bar	217 PSI
0713	390	13	0.103	3.43	0.543	1.81	7 bar	101 PSI
0330	900	30	0.238	7.93	1.251	4.17	3 bar	43 PSI
0238,5	1155	38.5	0.305	10.17	1.605	5.35	2 bar	29 PSI

